

# Electric Control Lock

## Operation Manual



### ER-600A

#### PRODUCT FEATURE:

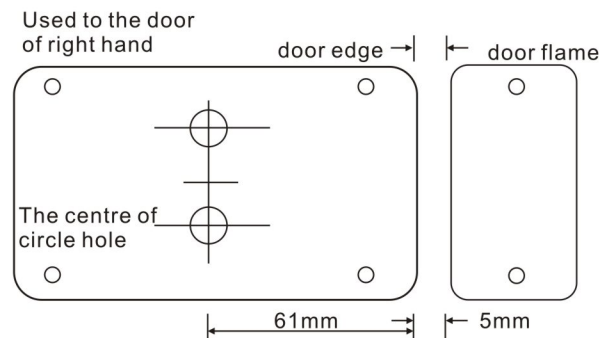
Electric Locks auopt double lock head of internal and external opening. In the lock body there is a unit of electric control opening lock and the unit of loading spring adjusting balance and automatic duplicale revolving handholder.

The locks have such merits as high guarding against theft, high insurance electric control key circle, screuing opening clock with hands and after contrary to lock preventing from opening locks without key. After closing the door and locking, preventing from laying down locks in the room.

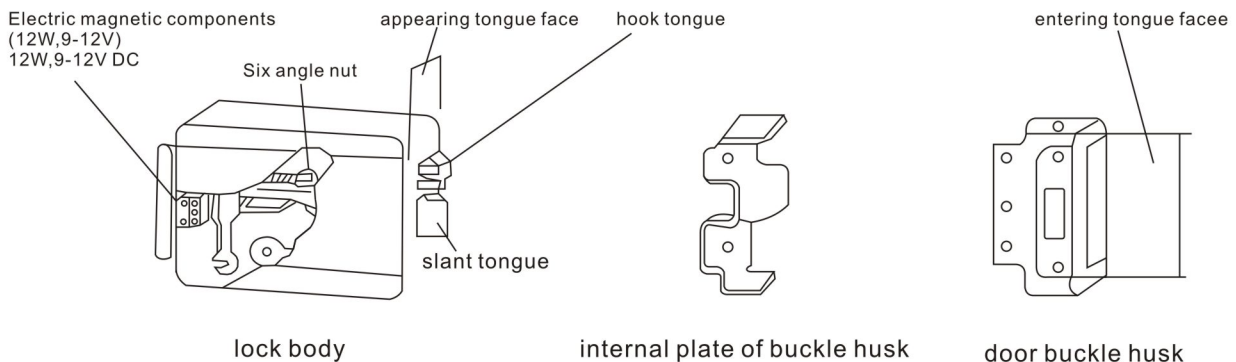
The locks are suitable to the residences specially the public gates of high layer residences organs schools travel services hotel building factory storehouses other departments and so on. The locks with the safe gates of electricl control guarding against theft canbe formed a complete set to use.

#### INSTALLATION METHOD

With a set of screw according to the general demads the lock bodies. Lock heads and door buckle husks are fixed tightly on the door edge or door flame. the distance between the appearing tongue face of lock bodies and entering tongue face of door buckle husks is about five millimeters (asfollowingmap).



The weight of observation door and the implents of closing door (if being provided with the implents of closing door) cooperate whether to desire. When closing the door and if discovering the largenose or not to lock you may serewthe six angle nut with 12# spanner or pincers (as follwing map) and adjust the loading spring repeatedly until loose and tight balance as you open or close the door.



When the hook tongue and the slant tongue are installed on the conrtay the internal unlock can be become external unlock. the method of installation is the same. After the locks are installed well the doors are closed namely the locks are done steady automatically.